



Create, Enhance and Share Technical Illustrations

Looking for a single technical graphics solution? Analyze, enhance and share your rich information with ease, precision, and pro results, using just one integrated application. Canvas 14 is all you need.

- Create technical illustrations with ease using double-precision technology
- Enhance and visualize CAD & CGM4 files using award-winning features
- Share projects in a wide variety of layouts and formats

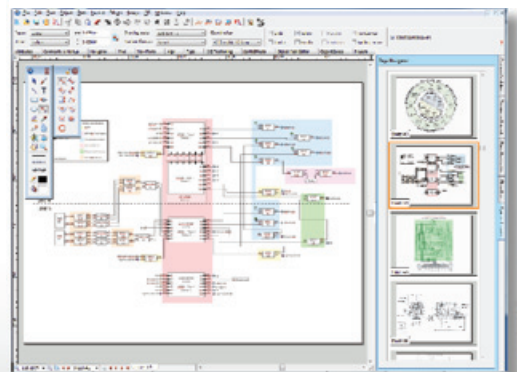
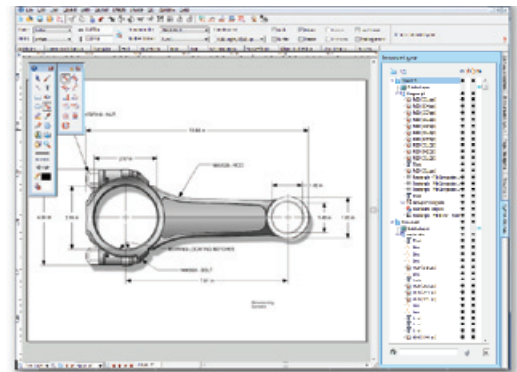
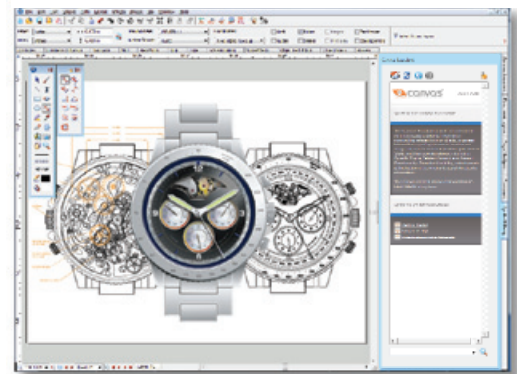
Visualize & Share Your Technical Vision

Canvas 14 enables engineers, scientists, and technical graphics professionals to illustrate, collaborate, and communicate with confidence. Canvas' powerful object illustration and high-quality image editing tools can operate at a precision of .035 microns. This helps maintain the integrity of visual data through the entire process of design, enhancement, review and delivery. Canvas offers state-of-the-art 2D technical document creation, encryption, sharing, and review management solutions.

Use Canvas 14 as a "digital light table" to create overlaid montages: scan or edit images and control layer transparencies; draw and enhance object-based graphics; add technical markup and advanced dimensioning. With support for 100+ file types you can leverage all of your resources. Work with high end formats such as CGM*ATA, CGM*PIP, Web CGM, and DXF/DWG files (2D or 3D) to create a wide variety of valuable communications media.

Canvas 14 ensures the efficient and safe exchange of technical documentation between you, your colleagues, and other stakeholders. Share accurate, encrypted, and powerfully enhanced 2D object graphics + advanced markup. Communicate convincingly to diverse audiences by sharing your illustrations and rich information as professionally formatted, multi-page, print-ready documents, or password-protected PDFs. You can even copy-paste images + objects into PowerPoint® using Canvas' special copy preset.

With Canvas' (optional) GIS+ module you can also handle most forms of geo-data, adding graphic enhancements and text to huge map-making object files.



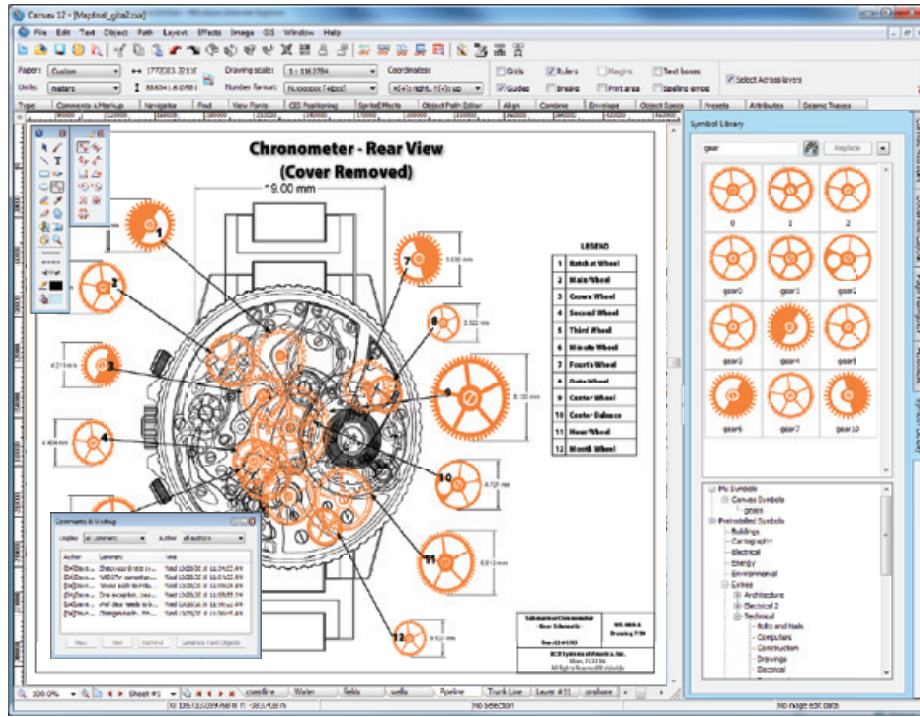
CGM4 & WebCGM
Import, edit CGM*ATA & CGM*PIP files. Integrate seamlessly into the latest CGM workflows.

Smart Vector Fill
Select & color visually enclosed regions of overlapping objects with ease.

Multi-Save
Export to a number of different formats simultaneously.

Smart Join
Instantly rejoin segmented objects into a single object.

3DView
View and enhance "2D snapshots" of the latest AutoCAD®3D models. Rotate on an X, Y, or Z axis to create graphics from any angle or zoom level.



Geometric Import & Export
Import and export mathematical data that numerically describes an object's exact geometry.

Docking Pane
Efficiently manage your work area & core palettes

Symbol Library
Use thousands of pre-installed symbols. Import, custom create, and organize new symbol sets.

Flowchart Palette
Create complex data flowcharts & visualize processes automatically

Link Manager
Add hyperlinks to documents & export (include hotspotting in PDF exports).

Speed your technical graphics workflow, while maintaining double-precision accuracy. Ease its documentation, review process, publication, electronic distribution, and revision management. Import object graphics—if necessary, export from native software as DXF or DWG CAD files (2D or 3D), or CGM files—then import into Canvas to edit their coordinates and enhance their colors. Import images and photos in a mixed resource, "digital light table" multi-layered document. Add markup and advanced dimensioning tools for a variety of data + graphic + text, trustworthy 2D media.

Create with Confidence

Take advantage of Canvas' micron-level precision accurate to within .035 microns, and virtually unlimited object and control point specifications to ensure the integrity of your data is maintained throughout your workflow - from design, through review to delivery. Scale with double precision accuracy, and work with wall-sized documents to view your technical vision in a glance.

Streamline your Multifaceted Workflow

With Canvas you can directly import 100+ file types and standardized professional profiles including: CGM4, WebCGM, CAD DXF/DWG, or simply JPEGs, PDFs, and Tiffs. Take multiple "2D snapshots" of CAD 3D models from any angle. Or scan photos or archival visual resources directly into a multi-page Canvas document.

Bringing together illustration, images, text, and data into a unified design environment has never been so easy.

Share Securely with Colleagues & Customers

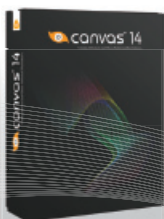
Canvas' technical markup and advanced dimensioning tools facilitate the iterative process of reviewing documents and providing feedback. Markup can be saved to separate hidden layers, and for easy identification and control. You can also encrypt Canvas documents And PDFs.

Capture your Audience

Create stunning visuals with Canvas' proprietary Sprite Technology, applying powerful transparency effects and raster image filters to vector objects or even text, without rendering. Specialized technologies such as channel masks, vector masks, gradient transparency tools, and opacity effects, are also available for countless advanced graphics creation techniques.

Communicate your Projects and Ideas

Share your ideas as quality PDFs, wide-format print documents, and WebCGM or HTML. An intuitive, customizable interface makes it easy to start a first Canvas project, or improve your technical graphics workflow.



Available from ACD Systems:
Canvas 14 | Canvas 14 with GIS+